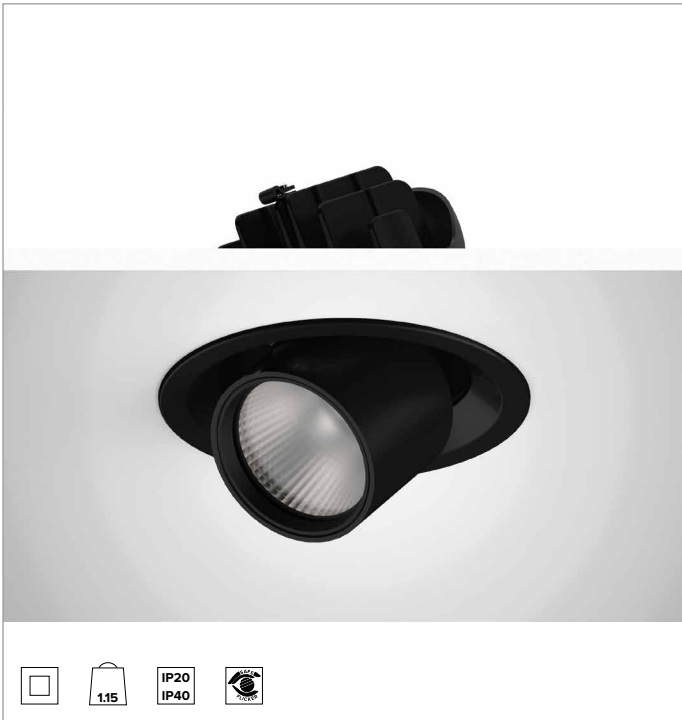
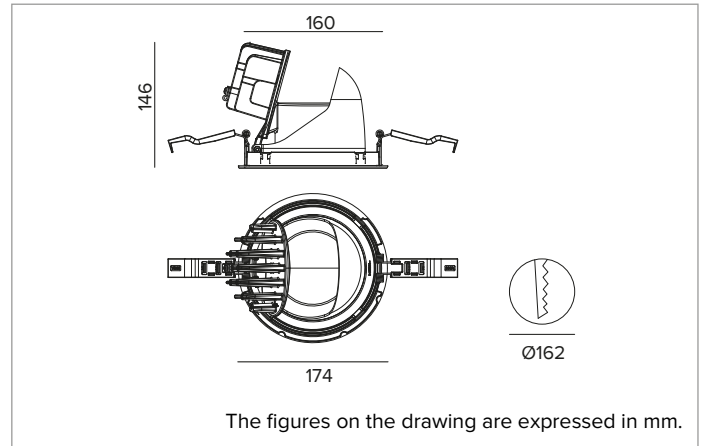


# 1T9167EL | CTEVO EXTRACTABLE 162

## Recessed extractable LED projector



|        |                 |               |         |      |          |
|--------|-----------------|---------------|---------|------|----------|
|        |                 | 3500K         | H(m)    | D(m) | Emax(lx) |
|        |                 | Ra90          |         | 32°  |          |
|        |                 | Fixture Power | 41W     | 1    | 0.57     |
|        |                 | Source Flux   | 4920lm  | 2    | 1.13     |
|        |                 | Fixture Flux  | 3799lm  | 3    | 1.70     |
|        |                 | Efficacy      | 93lm/W  | 4    | 2.27     |
| TS1313 | Imax=2361cd/klm | Imax          | 11616cd | 5    | 2.83     |



### SOURCE

High efficiency Chip on Board LED Ra90. Ra80 on request.

**Energy efficiency class:** E

**Nominal power:** 36W

**Nominal flux:** 4920lm

**Colour rendering index:** 90

**Rf:** 91

**Rg:** 100

**CCT nominal:** 3500K

**Lifetime (L80/B10):** >50000h tq +25°C

### ILLUMINOTECHNICAL CHARACTERISTICS

FL - precision optics with a black silicone cut off ring. Convex faceted highly reflective anodised aluminium reflector and a holographic diffusion filter. UGR<19 (EN 12464-1).

**Optic:** REFLECTOR

**Beam angles:** FL (32°)

**Optical efficiency:** 77%

**Fixture flux:** 3799lm

**Luminous efficacy:** 93lm/W

**Photobiological safety:** Compliant with RG1 low risk group

### MECHANICAL CHARACTERISTICS

Die-cast black painted anodised aluminium body and dissipator. Friction rotation system on hinges with adjustability of the fixture from -25°/+75° on a vertical plane and can be manually aimed to 355° on a horizontal plane. Trim version with an integrated black ring.

**Colour and finish:** Deep black

**Weight:** 1.15Kg

**Degree of protection:** IP20 for recessed part

**Degree of protection:** IP40 for exposed part

### ELECTRICAL CHARACTERISTICS

Integrated electronic ON-OFF driver.

**Fixture Power:** 41W

**Power supply:** 220-240Vac 50/60Hz

**Insulation Class:** CLASS 2

**Type of driver / Control:** ON-OFF

**Driver included:** YES

**Class F:** YES

**SAFE FLICKER:** PstLM=<1 and SVM=<0.4 (IEC TR 61547-1 and IEC TR 63158), to ensure a more comfortable and safe light

**Ambient temperature:** 0°C / +25°C

### INSTALLATION

Quick tool-free mounting system for false ceiling installation from 0.5 to 30mm.

### NOTES

110-277Vac version available on request.

### WARRANTY

5 years.

### WARNING

Luminaire designed for disposal/recycling at end-of-life. Replaceable (LED only) light source by a professional. Replaceable control gear by a professional.

*Due to the technological evolution of the electronic components, the data provided may be updated, and as such, confirmation must be requested during the order process.*

*Luminous flux and power supply have +/-10% tolerances with respect to the indicated value. tq +25°C (CIE 121).*

*We reserve the right to make technical changes.*

Targetti Sankey S.r.l.  
Via Pratese, 164  
50145 Firenze - Italy  
Tel: +39 055 37911  
targetti.com  
targetti@targetti.com

CCIAA Firenze  
Share Capital:  
€ 500.000,00  
VAT N. (IT):  
01537660480  
R.E.A.: FI-275656

**TARGETTI**

## 1T9167EL | CTEVO EXTRACTABLE 162

### Recessed extractable LED projector

#### Accessories

##### Filter



| Ø mm | Code          |
|------|---------------|
| 70   | <b>1T1708</b> |

Flat striped glass blade light refractive filter.  
This makes the beam take on an oval shape and when combined with spotlights, the light blade appears more prominent.  
To be completed with a dedicated holder ring A079.  
Cannot be used with versions from 48W (nominal power) - 55W (fixture power).

##### Grid



| Ø mm | Code          |
|------|---------------|
| 70   | <b>1T1711</b> |

Anti-glare louver.  
Black painted metal honeycomb structure.  
To be completed with a dedicated holder ring A079.  
Cannot be used with versions from 48W (nominal power) - 55W (fixture power).

##### Cut-off



| Ø mm | Code          |
|------|---------------|
| 80   | <b>1T3142</b> |

Cut-off Tube.  
Allows for the beam to be focused while removing the fall-off component.  
Cannot be used with versions from 48W (nominal power) - 55W (fixture power).

##### Screen



| Colour | Code        |
|--------|-------------|
| ●      | <b>A079</b> |

Black polycarbonate accessory holder ring.

##### Mounting System



| L mm | Code          |
|------|---------------|
| 2500 | <b>1T9606</b> |

Anti-fall safety cable to secure the body of the appliance to the building structure.

Due to the technological evolution of the electronic components, the data provided may be updated, and as such, confirmation must be requested during the order process.  
Luminous flux and power supply have +/-10% tolerances with respect to the indicated value. tq +25°C (CIE 121).

We reserve the right to make technical changes.

Targetti Sankey S.r.l.  
Via Pratese, 164  
50145 Firenze - Italy  
Tel: +39 055 37911  
targetti.com  
targetti@targetti.com

CCIAA Firenze  
Share Capital:  
€ 500.000,00  
VAT N. (IT):  
01537660480  
R.E.A: FI-275656

**TARGETTI**